

CARBON AIR PURIFIER INFO & SPECS

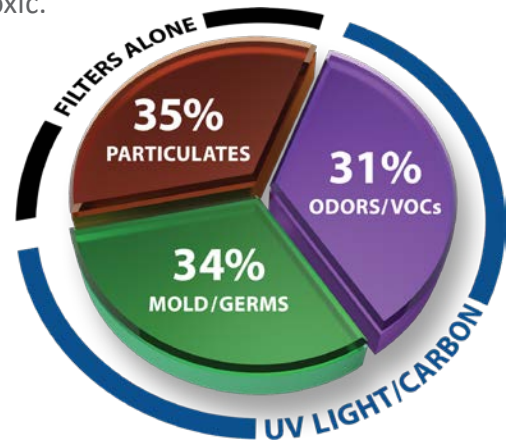
Platinum Carbon cleans the air by combining UVC light and activated carbon; two technologies proven to be most effective at killing germs, and removing odors by reducing chemical vapors known as volatile organic compounds (VOCs). Some of them, like formaldehyde and acetone, are known to be toxic.

FEATURES

- Duct or magnet mount
- Easy to install
- Lifetime carbon cells
- Ozone-free
- Lifetime warranty

BENEFITS

- Whole-house air purification
- Neutralizes odors & toxic VOCs
- Fights mold, bacteria, & viruses
- Improves indoor air quality
- Inhibits HVAC mold growth



Duct Mount RT
(for smaller ducts)



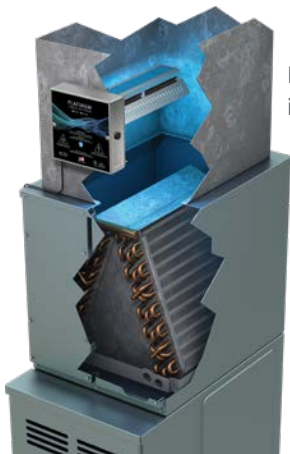
Duct Mount



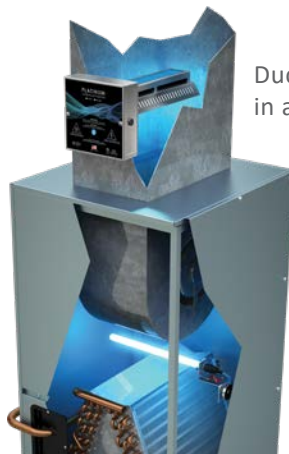
Magnet Mount 15



Magnet Mount 11



Duct Mount
in furnace



Duct Mount Dual
in air handler



Magnet Mount
in package unit

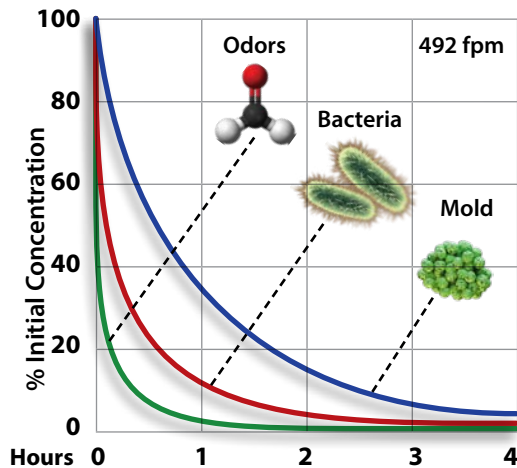


TECHNICAL DATA

Platinum Carbon utilizes proprietary UV-reactive carbon cells to disinfect the air and neutralize odors and volatile organic compounds (VOCs) in the indoor air. The system uses specially prepared adsorption media to capture VOCs, then, with the help of a 254 nm germicidal UV-C lamp, the captured constituents are neutralized through an innovative reaction process which breaks them down into elemental carbon dioxide and water vapor.



Platinum Carbon % Reduction of Common Indoor Air Contaminants Over 4 Hours



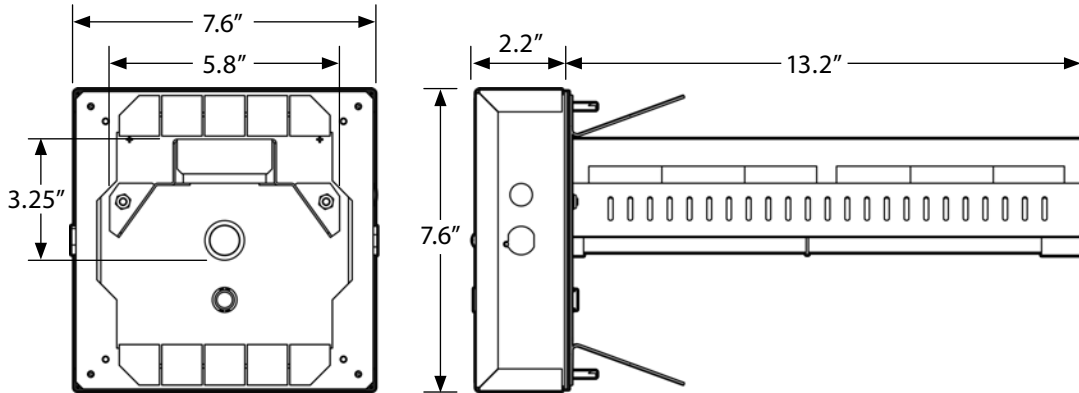
The monolithic carbon cells in Platinum Carbon are regenerative. Under normal operation it requires no maintenance and does not need to be replaced. Additionally, the UV-C light in Platinum Carbon disinfects the moving air stream reducing airborne mold, bacteria, and viruses. The UV light also reduces any build up of mold within the air handler and ducts.

| Platinum CARBON TECHNICAL DATA | |
|--------------------------------|---|
| UV Lamp | 254 nm Germicidal UV-C Spectrum Quartz Hot Filament |
| Carbon Cell | Advanced Monolithic Adsorptive Carbon cell with proprietary absorption media and proven TiO2 photo-catalyst |
| Cell per In2 | 16 |
| Cell Surface Area | 250 m2/gm |
| Bulk Density | 1.44 gm/cm2 |
| Pressure Drop | <0.01" w.c. @ 400 FPM |
| VOC Activity | 40-60% absorption per pass |
| Max Operating Temp. | 400 degrees F |



PL CARBON

- High or low-voltage internal power supply
- Slotted flanges enhance air flow
- Ideal for HVAC systems from to 3-7 tons



18-32 VAC MODELS

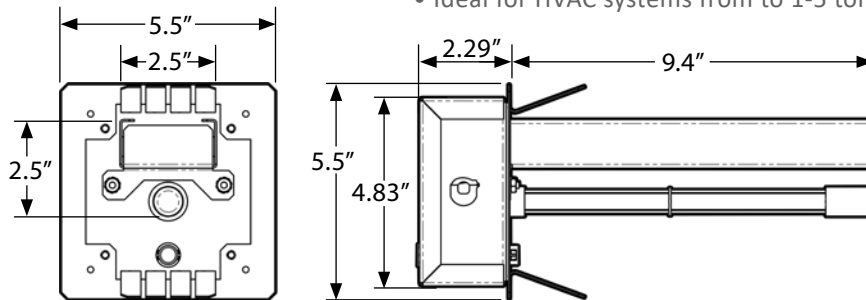
- PL-PCO-ER
- PL-PCO-ER2
- PL-PCO-DER
- PL-PCO-DER2

120-277 VAC MODELS

- PL-PCO-SI
- PL-PCO-SI2
- PL-PCO-DI
- PL-PCO-DI2

PL CARBON RT

- High or low-voltage remote power supply
- Requires only 10" clearance within the duct
- Ideal for HVAC systems from to 1-5 tons



18-32 VAC RT MODELS

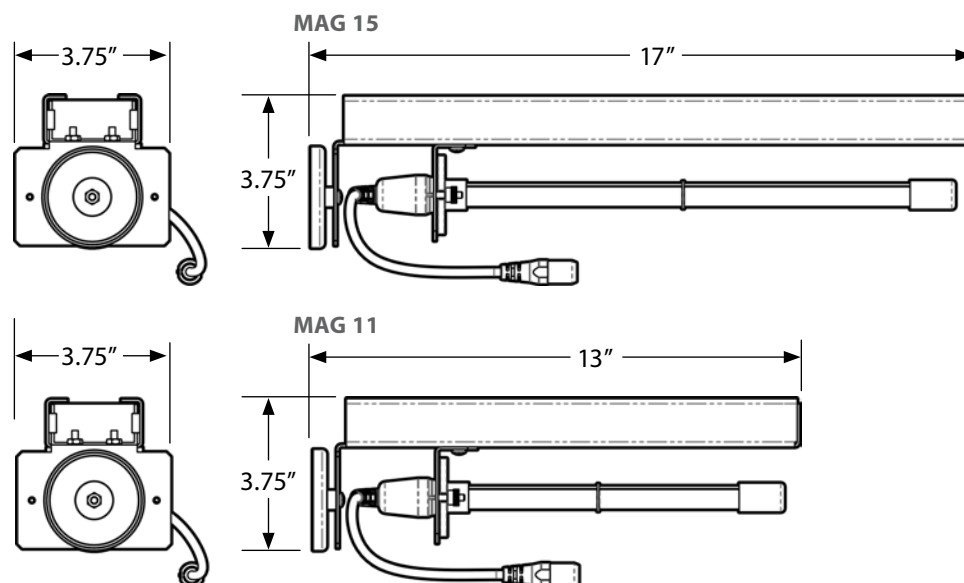
- PL-PCO-RT-ER
- PL-PCO-RT-ER2

120-277 VAC RT MODELS

- PL-PCO-RT-ST
- PL-PCO-RT-ST2
- PL-PCO-RT-DT
- PL-PCO-RT-DT2

PL CARBON MAG

- High or low-voltage remote power supply
- Removable magnet for internal mounting
- Ideal for package units



18-32 VAC MAG 15 MODELS

- PL-PCO-MAG15-ER
- PL-PCO-MAG15-ER2

120-277 VAC MAG 15 MODELS

- PL-PCO-MAG15-ST
- PL-PCO-MAG15-ST2
- PL-PCO-MAG15-DT
- PL-PCO-MAG15-DT2

18-32 VAC MAG 11 MODELS

- PL-PCO-MAG11-ER
- PL-PCO-MAG11-ER2

120-277 VAC MAG 11 MODELS

- PL-PCO-MAG11-ST
- PL-PCO-MAG11-ST2
- PL-PCO-MAG11-DT
- PL-PCO-MAG11-DT2



| PL Carbon Specs | | |
|--|--|----------------------|
| UV Lamp | 254 nm germicidal UV-C, quartz hot filament | |
| Dimensions | Cell & Lamp: 5.8"W x 3.25"H x 13.2"D Enclosure: 7.6"L x 7.6"W x 2.2"D | |
| ER models Electrical | 18-32 VAC, 60 Hz, 0.68 Amps, 16 VA | |
| SI DI models Electrical | 120-277 VAC, 50/60 Hz, 0.51 Amps/120V Thru 0.22 Amps/277V | |
| Pressure Drop | <0.01" w.c. @ 400 FPM | |
| Warranty | Lifetime for all parts except lamp | |
| Part Numbers | | |
| 18-32 VAC | | Replacement Lamp |
| PL-PCO-ER | 1 Year Lamp | TUVL-115 |
| PL-PCO-ER2 | 2 Year Lamp | TUVL-215 |
| 18-32 VAC with 2nd UV Lamp for Coils | | Replacement Lamps |
| PL-PCO-DER | 1 Year Lamp | TUVL-115 & TUVL-115P |
| PL-PCO-DER2 | 2 Year Lamp | TUVL-215 & TUVL-215P |
| 120-277 VAC | | Replacement Lamp |
| PL-PCO-SI* | 1 Year Lamp | TUVL-115 |
| PL-PCO-SI2* | 2 Year Lamp | TUVL-215 |
| 120-277 VAC with 2nd UV Lamp for Coils | | Replacement Lamps |
| PL-PCO-DI* | 1 Year Lamps | TUVL-115 & TUVL-115P |
| PL-PCO -DI2* | 2 Year Lamps | TUVL-215 & TUVL-215P |

* For wall plug add -P to part number. Example: PL-PCO-SI-P

| PL Carbon RT Specs | | |
|--|---|----------------------|
| UV Lamp | 254 nm germicidal UV-C, quartz hot filament | |
| Dimensions | Cell & Lamp: 2.5"W x 2.5"H x 9.4"D Enclosure: 4.83"L x 4.83"W x 2.29"D | |
| ER models Electrical | 18-32 VAC, 60 Hz, 0.68 Amps, 16 VA | |
| ST DT models Electrical | 120-277 VAC, 50/60 Hz, 0.51 Amps/120V Thru 0.22 Amps/277V | |
| Pressure Drop | <0.01" w.c. @ 400 FPM | |
| Warranty | Lifetime for all parts except lamp | |
| Part Numbers | | |
| 18-32 VAC | | Replacement Lamp |
| PL-PCO-RT-ER | 1 Year Lamp | TUVL-111 |
| PL-PCO-RT-ER2 | 2 Year Lamp | TUVL-211 |
| 18-32 VAC with 2nd UV Lamp for Coils | | Replacement Lamps |
| PL-PCO-RT-ST | 1 Year Lamp | TUVL-111 & TUVL-111P |
| PL-PCO-RT-ST2 | 2 Year Lamp | TUVL-211 & TUVL-211P |
| 120-277 VAC with 2nd UV Lamp for Coils | | Replacement Lamps |
| PL-PCO-RT-DT | 1 Year Lamps | TUVL-111 & TUVL-111P |
| PL-PCO-RT-ST2 | 2 Year Lamps | TUVL-211 & TUVL-211P |

| PL Carbon Mag Specifications | |
|------------------------------|---|
| UV Lamp | 1 Year (part #s TUVL-111P, TUVL115P) 254 nm UVC Quartz Hot Filament 2 Year (part #s TUVL-211P, 215P) 254 nm UVC Shielded Quartz Hot Filament |
| PCO Cell | Advanced Monolithic Adsorptive PCO cell with proprietary absorption media and proven TiO2 photo-catalyst |
| Pressure Drop | <0.01" w.c. @ 400 FPM |
| Dimensions | MAG11 5.5"W x 4"H x 13"D MAG15 5.5"W x 4"H x 17"D |
| Pressure Drop | <0.01" w.c. @ 400 FPM |
| Electrical ER Series | 18-32 VAC, 60 Hz, 0.68 Amps, 16 VA Low-voltage power-supply |
| Electrical ST / DT Series | 120-277 VAC, 50/60 Hz, 0.51 Amps/120V Thru 0.22 Amps/277V High-voltage power-supply |
| Warranty | Lifetime for all parts except lamp |

| Mag 11 Part Numbers | | |
|---------------------|------------------|-----------------------|
| 18-32 VAC | | Replacement Lamp |
| PL-PCO-MAG11-ER | 1 Year Lamp | TUVL-111P |
| PL-PCO-MAG11-ER2 | 2 Year Lamp | TUVL-211P |
| 120-277 VAC | | Replacement Lamp |
| PL-PCO-MAG11-ST | 1 Year Lamp | TUVL-111P |
| PL-PCO-MAG11-DT | 1 Year Lamp Dual | TUVL-111P & TUVL-115P |
| PL-PCO-MAG11-ST2 | 2 Year Lamp | TUVL-211P |
| PL-PCO-MAG11-DT2 | 2 Year Lamp Dual | TUVL-211P & TUVL-215P |
| Mag 15 Part Numbers | | |
| 18-32 VAC | | Replacement Lamp |
| PL-PCO-MAG15-ER | 1 Year Lamp | TUVL-115P |
| PL-PCO-MAG15-ER2 | 2 Year Lamp | TUVL-215P |
| 120-277 VAC | | Replacement Lamp |
| PL-PCO-MAG15-ST | 1 Year Lamp | TUVL-115P |
| PL-PCO-MAG15-DT | 1 Year Lamp Dual | TUVL-115P (x 2) |
| PL-PCO-MAG15-ST2 | 2 Year Lamp | TUVL-215P |
| PL-PCO-MAG15-DT2 | 2 Year Lamp Dual | TUVL-215P (x 2) |



MADE IN USA